

Reffon

展开尺寸：285X210MM

日期：20-10-27

此红框内容不印刷

Operating and Safety Instructions



Drum Fan

Model: FE-60A, FE-75A, FE-90A

FE-60A: 120VAC 60Hz 250W

FE-75A: 120VAC 60Hz 280W

FE-90A: 120VAC 60Hz 500W



- FOR COMMERCIAL USE ONLY -

READ AND FOLLOW ALL INSTRUCTIONS BEFORE USE.

CAUTION:

Read and follow all instructions before operating fan. Do not use fan if any part is damaged or missing

WARNING:

1. To reduce the risk of fire or electric shock, do not use this fan with any solid state speed control device.
2. This appliance has a ground plug which is intended to fit in an outlet only one way. If this does not fit outlet, contact a qualified electrician. Do not attempt to by-pass this procedure.
3. This product is used for commercial.
4. Unplug from electrical supply source before cleaning.
5. If the power cord is damaged, contact your local service center or a qualified electrician to install an appropriate replacement cord to prevent any injury or damage.
6. This appliance is not intended for use by persons (including children) with reduced physical, sensory or mental capabilities, or lack of experience and knowledge, unless they have been given supervision or instruction concerning use of the appliance by a person responsible for their safety.
7. Children should be supervised to ensure that they do not play with the appliance.

Warning: To Reduce The Risk Of Electric Shock, Do Not Expose to Water or Rain.

8. Unplug or disconnect the appliance from the power supply before servicing
9. Do not operate any fan with a damaged cord or plug. Discard fan or return to an authorized service facility for examination and/or repair.
10. Do not run cord under carpeting. Do not cover cord with throw rugs, runners, or similar coverings. Do not route cord under furniture or appliances. Arrange cord away from traffic area and where it will not be tripped over

User Servicing Instructions

Grasp plug and remove from the receptacle or other outlet device. Do not unplug by pulling on cord.

RULES FOR SAFE OPERATION:

1. Never insert fingers, pencils, or any other object through the guard when fan is running.
2. Disconnect the fan when moving from one location to another.
3. Disconnect the fan when removing grilles for cleaning.
4. Be sure fan is on a stable surface when operating to avoid overturning.
5. DO NOT use fan in window. Rain may create electrical hazard.
6. The fan is for commercial use only.

7. Do not leave the fan running unattended.
8. Always turn off and unplug fan after using.

Risk of Electric Shock

1. Grasp plug and remove from the receptacle or other outlet device. Do not unplug by pulling on cord.
2. Never touch the mains plug and the socket with wet hands.
3. Check the power cord and mains plug for damage before every use.
4. Check the appliance and the power cord regularly for any possible damage. Don't use damaged appliances.
5. If the supply cord is damaged, it must be replaced by the manufacturer, its service agent or similarly qualified person in order to avoid a hazard.

LIMITED WARRANTY

This item is warranted to be free from defects in materials or workmanship for a period of one years from the original date of purchase under normal conditions of intended use. If this product is defective, Warrantor will, within the warranty period, replace the product or refund the purchase price of the product, at Warrantor's option, at the place of purchase upon presentation of sales receipt or other proof of purchase. This warranty extends only to the original retail purchaser and excludes any damage to the product resulting from accident, misuse, abuse, damage caused by electrical power surge, or operation not recommended or authorized by these operating and safety instructions. This warranty is voided if the product is ever used in a household environment.

There are no warranties beyond this limited warranty. This limited warranty is your complete and exclusive remedy. Warrantor makes no other warranties, express or implied, including but not limited to any implied warranty of merchantability or of fitness for a particular purpose.

Warrantor undertakes no responsibility for the quality of the product except as otherwise provided herein. Warrantor assumes no responsibility that the product will be fit for any particular purpose for which you may be buying this product. Warrantor expressly disclaims liability for any special, incidental, indirect, or consequential damages arising from the purchase or use of this product.

The amount of Warrantor's liability under this warranty is limited to the amount of the original purchase price paid for the product by the original retail purchaser. If Warrantor cannot lawfully disclaim statutory or implied warranties, then all such warranties shall be limited to the duration of this warranty and to the amount of the original purchase price paid for the product by the original retail purchaser.

This warranty gives you specific legal rights; you may also have other rights that vary by jurisdiction. This warranty is valid only within the United States of America (USA).

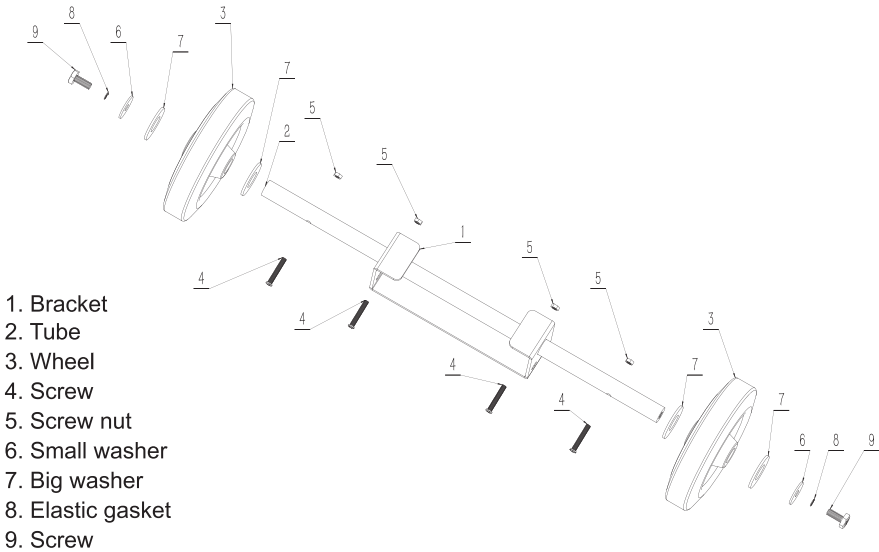
TO CLEAN FAN BLADE OR GRILL:

WARNING: Unplug from electrical supply source before cleaning.

1. Clean the blade by using a soft, damp cloth then wipe with dry cloth. Please be cautious around the motor housing area.
2. Do not allow the motor or other electrical components to be exposed to water. Reassemble after cleaning by reversing above procedure.
3. Do not bend the blades.

As the wheels and tube are packed independently, we need to assemble the wheels before using the fan.

Parts



ASSEMBLY INSTRUCTIONS

1. Take out the wheels(3) and the tube(2) from the packing box.
2. Disassemble the screws and washers from the tube.
3. Put the tube(2) into the hole of bracket(1), note that the bracket(1) is already installed on the drum of the fan.
4. Insert the screws(4) into the holes of the tube(2), lock them with screw nuts(5), to fix the tube to the bracket.
5. Put one big washer(7) to the tube.
6. Insert the wheel(3) to the tube.
7. Put another big whaser(7), small washer(6), Elastic gasket(8) to the tube.
8. Lock the screw(9) to the tube.

The picture below shows what it looks like when we finished assembling the tube and wheels.

